



MODEL

MICROS CLEAN AIR HW

INSTALLATION SPECIFICATION SHEET

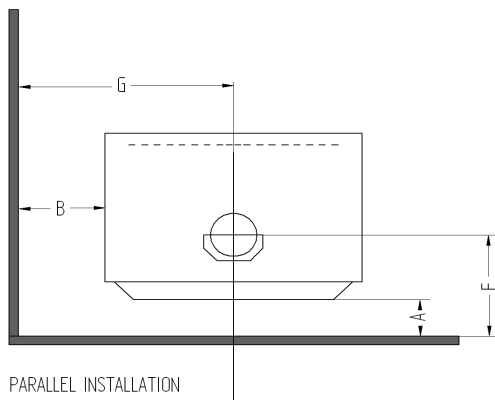
These instructions must be used in conjunction with the 'General Installation Instructions' for MASPORT wood fires.

CLEARANCE REQUIREMENTS

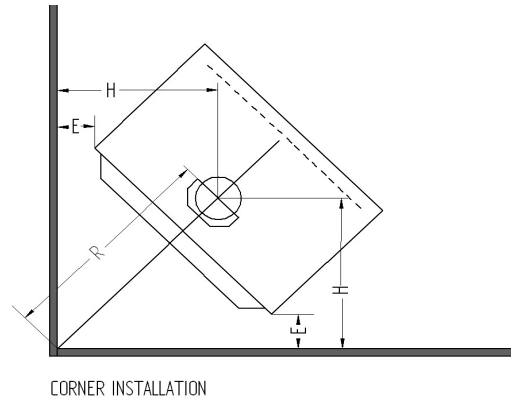
This fire has been tested to the Australian/New Zealand Standard AS/NZS 2918:2001 and all installations must be in accordance with the minimum clearances to combustibles indicated in these instructions.

The minimum clearances to combustibles may be reduced if the combustible walls are shielded with an approved non-combustible material. Details of suitable materials and appropriate clearance reduction factors are present in Section 3 of AS/NZS 2918:2001.

POSITIONING YOUR FREE-STANDING WOODFIRE



PARALLEL INSTALLATION



CORNER INSTALLATION

NEW ZEALAND

MINIMUM DISTANCES TO HEAT SENSITIVE WALLS (mm)

MODEL	FLUE HEAT SHIELD	A	B	E	F	G	H	R§
NOT AVAILABLE								

AUSTRALIA

MINIMUM DISTANCES TO HEAT SENSITIVE WALLS (mm)

MODEL	FLUE HEAT SHIELD	A	B	E	F	G	H	R§
MICROS CLEAN AIR HW	FLOWMET UNIVERSAL FLUE SYSTEM	150	180	80	295	455	377	533
	AHD SPECIAL INSULATED FLUE KIT	100	250	100	245	525	397	561

§ Valid only when the room walls are at 90° to each other.

‡ Note: Clearances are for fire hazard only. For durability of finishes or surfaces you should contact the relevant manufacturer for their specification. Glen Dimplex Australasia Ltd accepts no responsibility for the deterioration of surfaces or finishes.

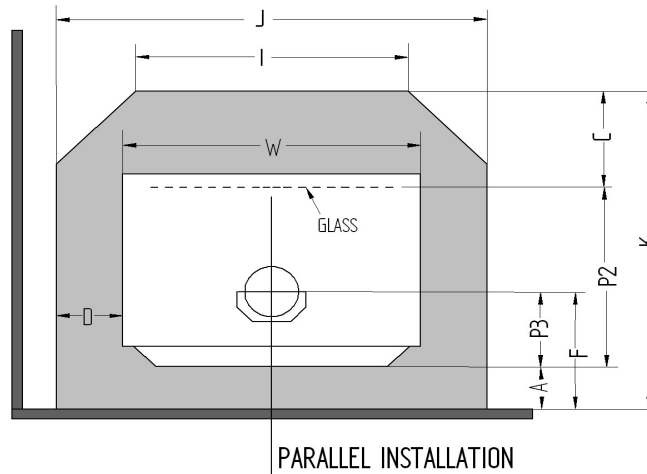
See " INSTALLING THE FLUE " for recommended Australian flue systems.

PRT. NO. MICHWM738

DATE: 17.12.2010

FLOOR PROTECTOR (Hearth) REQUIREMENTS PARALLEL INSTALLATION

MINIMUM FLOOR PROTECTOR DIMENSIONS IN mm



DIMENSIONS IN THE TABLE ARE VALID ONLY WHEN THE FIRE IS EXACTLEY AT ITS MINIMUM ALLOWABLE WALL CLEARANCE.

NEW ZEALAND

MODEL	Flue Shield	Floor Protector height	A#	C#	D	F	I	J	K#	P2	P3	W	Floor Protector Type Ø

AUSTRALIA - ALL WITH FLUE HEATSHIELD

MODEL	Flue Shield	Floor Protector height	A#	C#	D	F	I	J	K#	P2	P3	W	Floor Protector Type Ø
MICROS CLEAN AIR HW	*		150	300	136	295	522	822	842	392	145	550	ASH
	**		100	300	136	245	522	822	792	392	145	550	ASH

* FLOMET UNIVERSAL FLUE SYSTEM

** AHD SPECIAL INSULATED FLUE SYSTEM

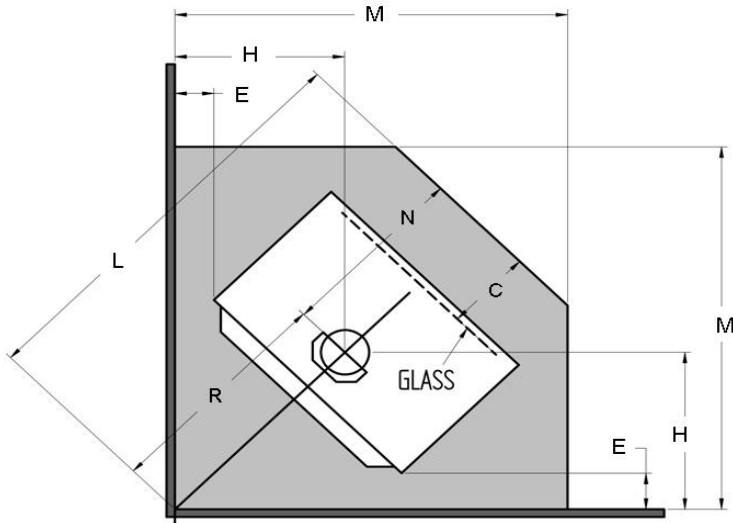
Ø for minimum constructional requirements see general installation instructions.

Valid only when the fire is exactly at its minimum allowable wall clearance.

NOTE: Where a fan is being fitted, you may prefer to increase the 'A' dimension to 100 mm to provide easier access for servicing. If so, the amount you add to 'A' to bring it to 100 mm must also be added to the 'C' and 'S' dimensions.

FLOOR PROTECTORS (Hearth) REQUIREMENTS CORNER INSTALLATION

MINIMUM FLOOR PROTECTOR DIMENSIONS IN mm



DIMENSIONS IN THE TABLE ARE VALID ONLY WHEN THE FIRE IS EXACTLEY AT ITS MINIMUM ALLOWABLE WALL CLEARANCE.

NEW ZEALAND

MODEL	Flue Shield	Floor Protector Distance above Floor	C	E	H#	L#	M#	N	R#	FLOOR PROTECTOR

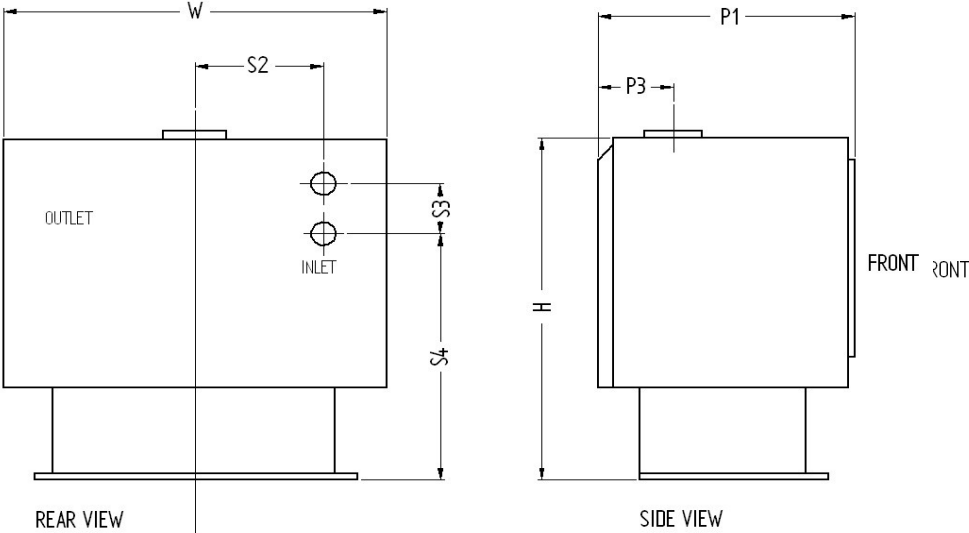
AUSTRALIA

MODEL	Flue Shield	Floor Protector Distance above Floor	C	E	H#	L#	M#	N	R#	FLOOR PROTECTOR
MICROS CLEAN AIR HW	*		300	80	377	1080	948	547	533	ASH
	**		300	100	397	1108	968	547	561	ASH

* FLOMET UNIVERSAL FLUE SYSTEM

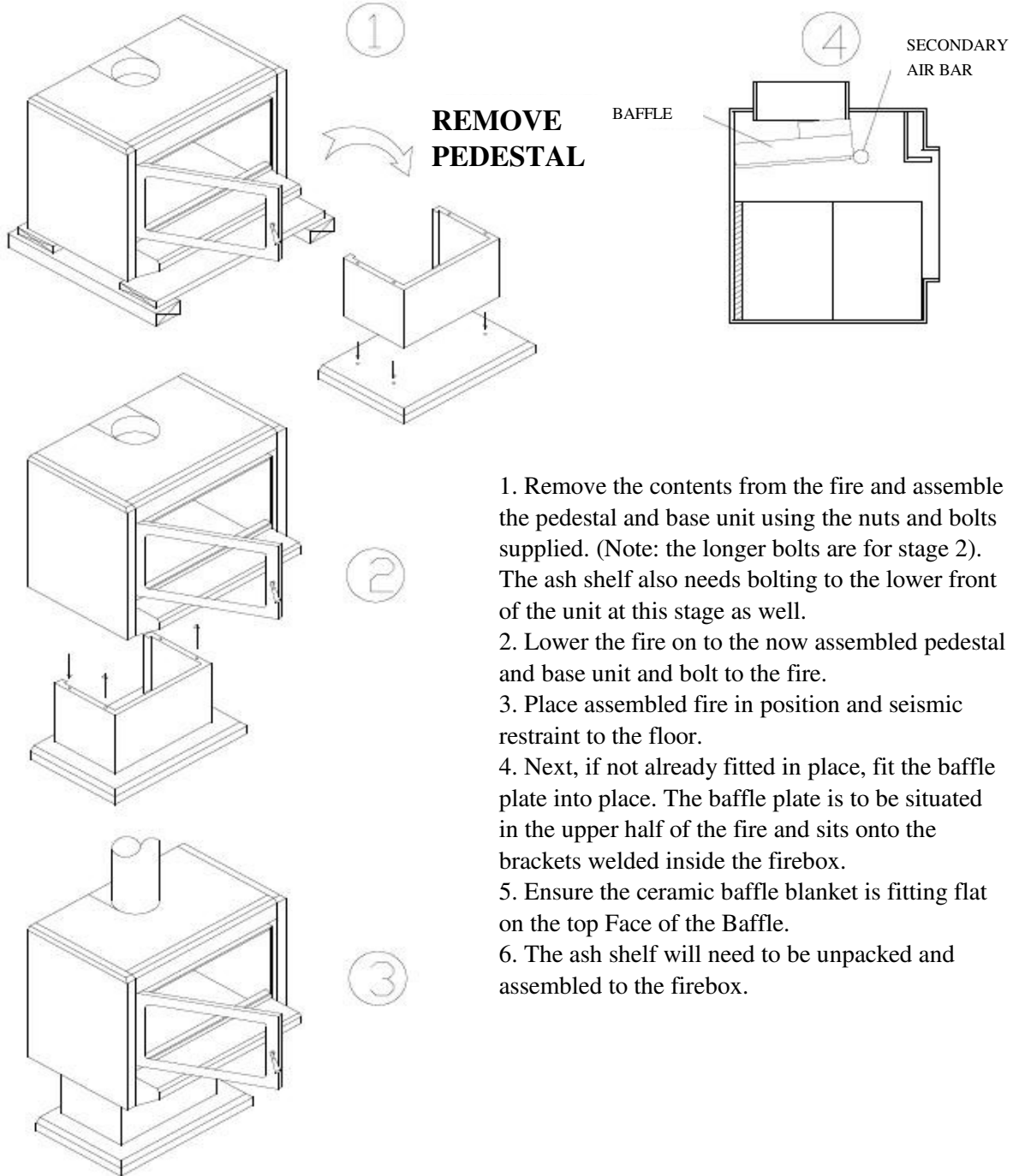
** AHD SPECIAL INSULATED FLUE SYSTEM

FREE STANDING FIRE DIMENSIONS



MODEL	P1	P3	H	W	S1	S2	S3	S4
MICROS	510	145	627	550	-	185	164	257
CLEAN AIR HW								

Assembly of your Micros Clean Air HW Logaire Wood Fire



1. Remove the contents from the fire and assemble the pedestal and base unit using the nuts and bolts supplied. (Note: the longer bolts are for stage 2). The ash shelf also needs bolting to the lower front of the unit at this stage as well.
2. Lower the fire on to the now assembled pedestal and base unit and bolt to the fire.
3. Place assembled fire in position and seismic restraint to the floor.
4. Next, if not already fitted in place, fit the baffle plate into place. The baffle plate is to be situated in the upper half of the fire and sits onto the brackets welded inside the firebox.
5. Ensure the ceramic baffle blanket is fitting flat on the top Face of the Baffle.
6. The ash shelf will need to be unpacked and assembled to the firebox.